



Antonella Quaranta MD

I am a Board Certified General Surgeon specialized in Aesthetic Medicine. I graduated from the University of Florence, Italy Cum Laude and I've been running my private practices for the past twenty five years, both in Florence and Prato. I am a member of AICPE, GIST and FIME. I periodically appear on TV programs aimed at informing patients about the latest findings in aesthetic medicine, as well as writing articles for three national magazines. I teach advanced courses at universities and hold workshops with live demonstrations at congresses. I am a tutor and opinion leader for Teoxane SA, Geneva, CH.

I perform bio-revitalizing, full-face and body, bio-stimulation procedures with needles and cannulas. I use smooth PDO needle threads for skin texture improvement and barbed or twisted threads to achieve lift effect. I use Botulin Toxin as a neuro modulator. Furthermore, I employ the use of bio-resorbing fillers for volume increase and contour reshaping, achieving 3D results. I intervene on cases of tissue rejuvenation through the use of bio-fillers and lipofilling (Macro, Micro and Nano Fat) for breast and buttocks augmentation and definition. I perform liposuctions for body shape definition and I use AFG with expanded ADSC together with PRP. I personalize specific anti-age protocols for the health and beauty of my patients.

BONTEMPI CHIRURGISCHE INSTRUMENTE

BMED Srl - Via Mincio, 166
47842 San Giovanni in Marignano RN
C.F. e P.Iva 04006860409

T +39 0541 1799990
F +39 0541 1794330
bontempimed.com / info@bontempimed.com

Passion for Excellence

Bontempi
Chirurgische Instrumente

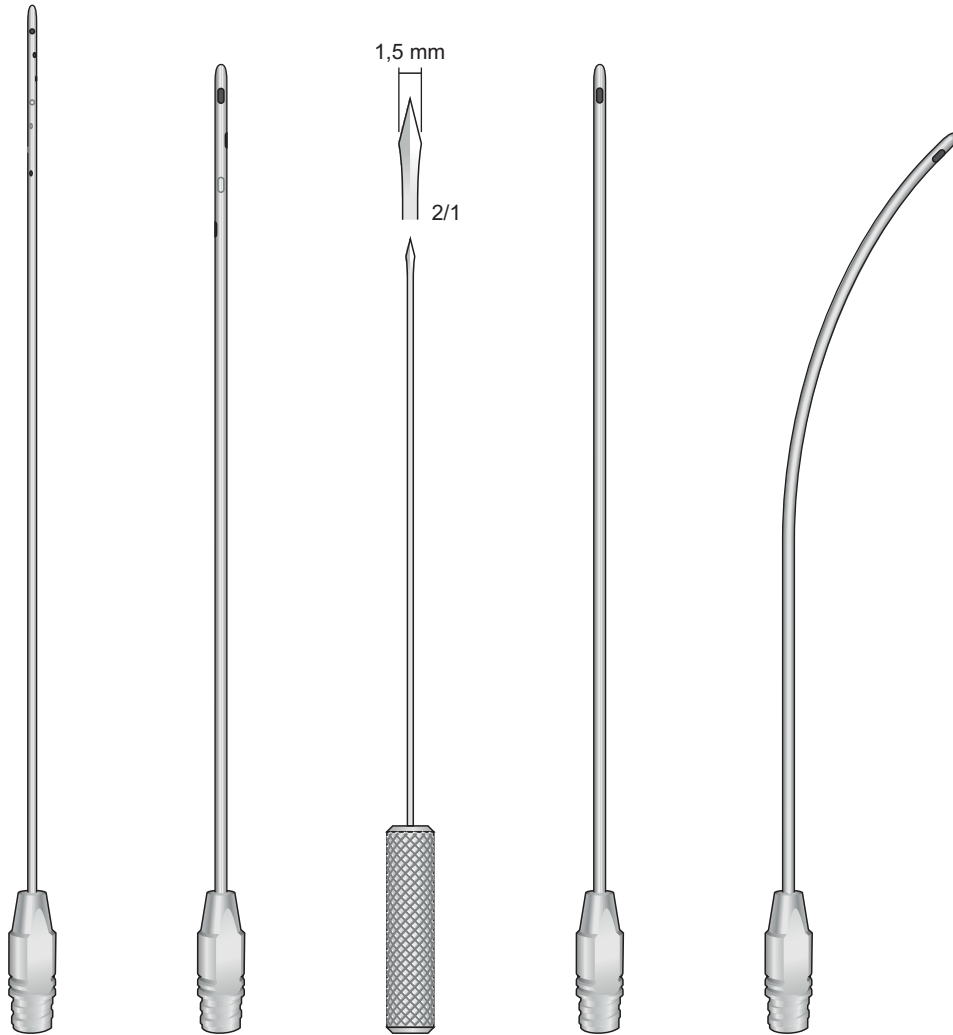
Passion for Excellence

B.A.F.F.I. Technique

Kit Lipofilling BUTTOCK

developed by Dr. Antonella Quaranta

bontempimed.com



ES-20Q	ES-21Q	ES-22Q	ES-23Q	ES-24Q
150 mm	140 mm	100 mm	140 mm	130 mm
Ø 1.5 mm	Ø 2.0 mm	Ø 1.0 mm	Ø 2.0 mm	Ø 2.0 mm
Infiltration 7 Spiral Holes Ø 0,8 mm	Harvesting 4 Spiral Holes Ø 2,5x1,0 mm	Subcision 7x1,5 mm	Reinjection 1 Hole Ø 2,5x1,0 mm	Reinjection 1 Hole Ø 2,5x1,0 mm

Biofiller Autologus Fat Filler Injection

Dr. Antonella Quaranta

In the age of dynamism, the Aesthetic Medicine plays a decisive role, the new trends require us more and more natural results that aim at the Face & Body rejuvenation without down-time and long-lasting.

This is the real reason that stimulated me to use regenerative medicine among the various devices and medical devices. I have included in my protocols the BIOFILLER, a treatment and two actions.

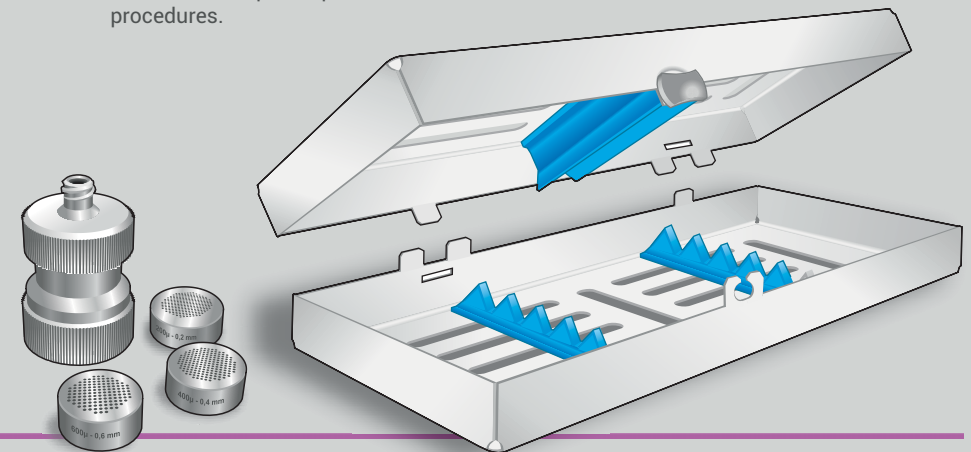
Filler effect to restore volumes thanks to HA and AFG. Regenerative effect to improve the skin texture thanks to ADSC and GF.

KIT for LIPOFILLING, in order that the treatment could be performed in the clinic following the traditional rules of sterility and with a fast learning curve, the B.A.F.F.I. Kit helps to optimize times and procedures.

Description of the surgical instruments: Autoclavable steel box containing two spiral multi-perforated infiltration cannulas, two multi-hole suction cannulas with sharp margins and an implant cannula.

Also set includes a fat transfer with three different filters to allow the preparation of Macro, Micro and Nano Fat.

For more information on the preparation of BIOFILLER it is possible to register for basic and advanced courses to learn «B.A.F.F.I. Full Face Technique» to work in the clinic and «B.A.F.F.I. Body Technique» for interventions in the operating room.



ES-06Q	BS-00Q
0,6 mm - 600µ	185x75x35 mm
0,4 mm - 400µ	Container
0,2 mm - 200µ	For 5 cannulas

Fat Transfer
for Macro, Micro and Nano Fat